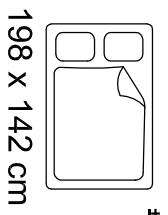
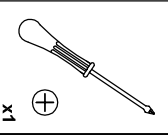
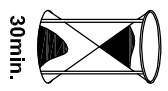
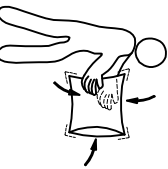
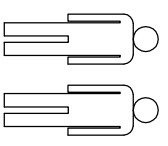
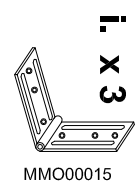
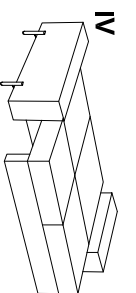
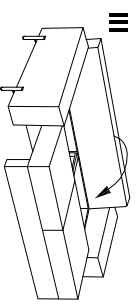
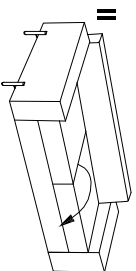
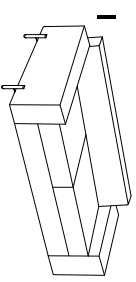
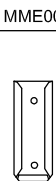
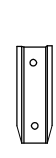
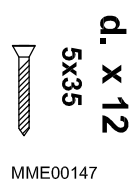
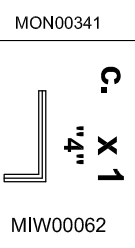
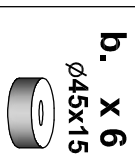
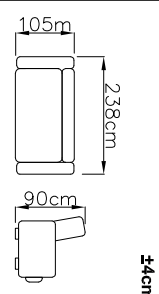
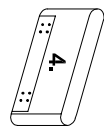
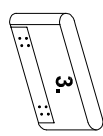
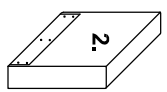
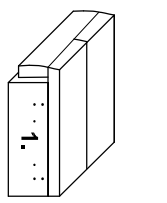
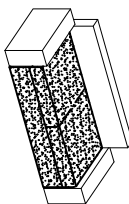

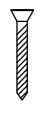



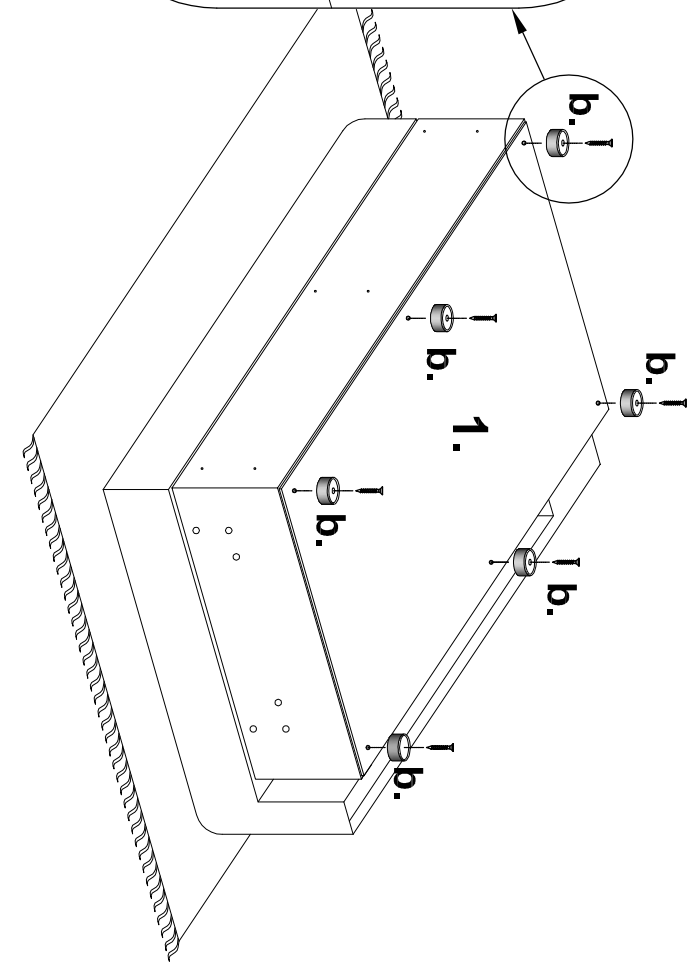
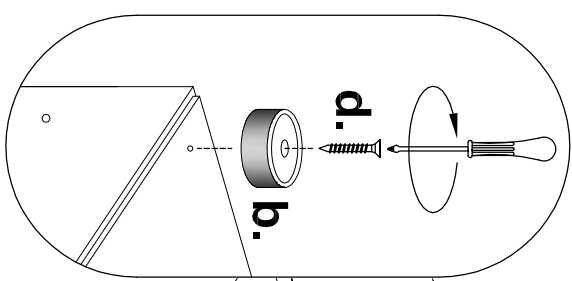
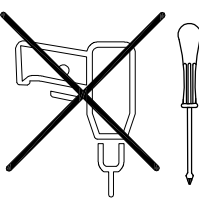
2024-08-12



Arella 3



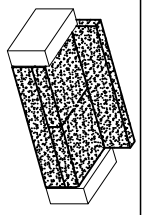
	b. x 6		$\varnothing 50 \times 15$
	d. x 6		5x35



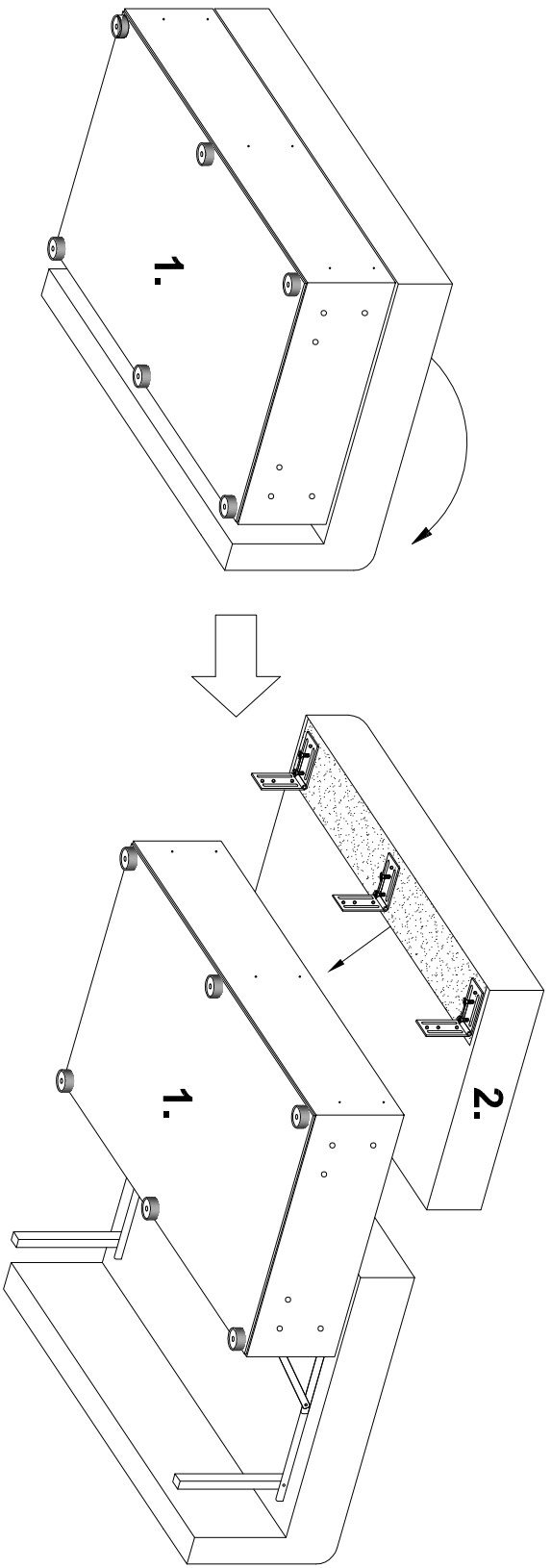
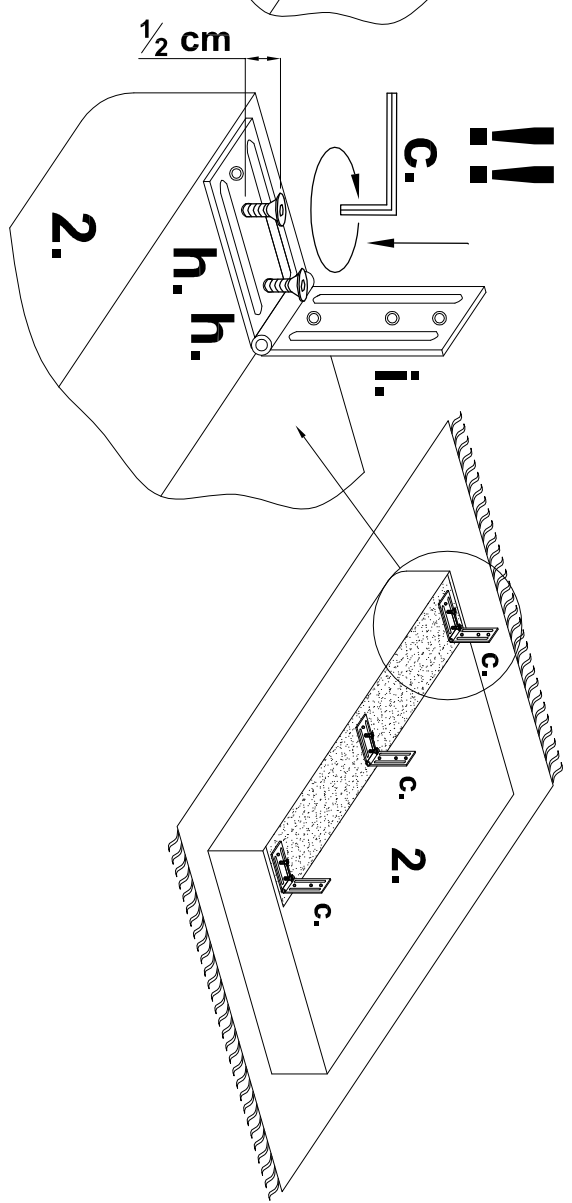
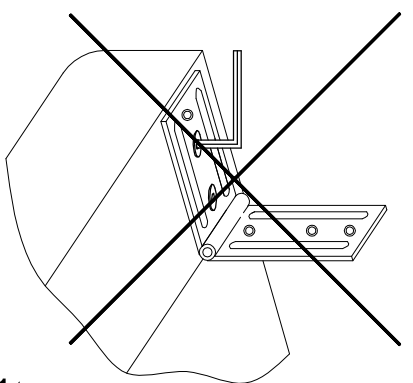
0 10 20 30 40 50 60 70 80 90 100 110 120 130 140 150 160 170 180 190 200 mm

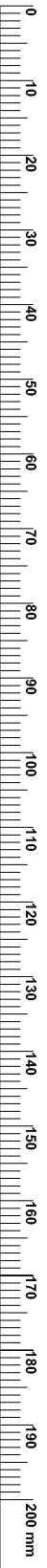
2024-08-12

Arella 3



i. x 3		
h. x 6		M6x25
c. x 1		"4"

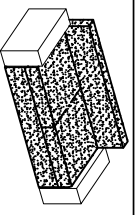




2024-08-12

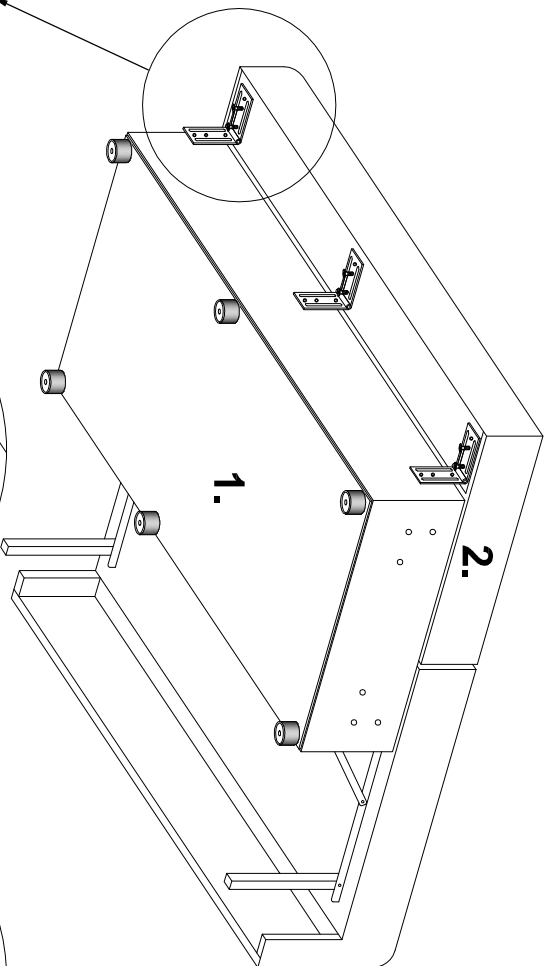
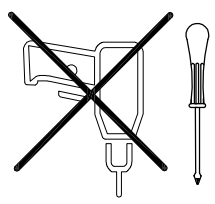
Arella 3

III

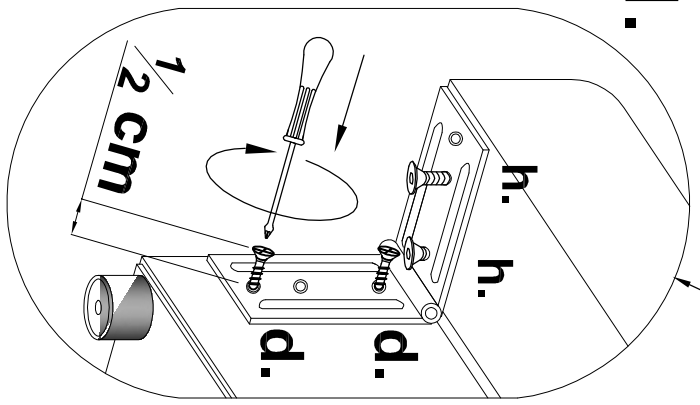


d. x 6  5x35

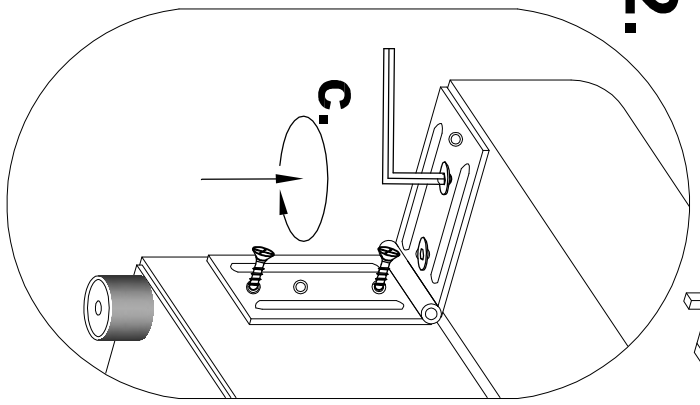
c. x 1  "4"



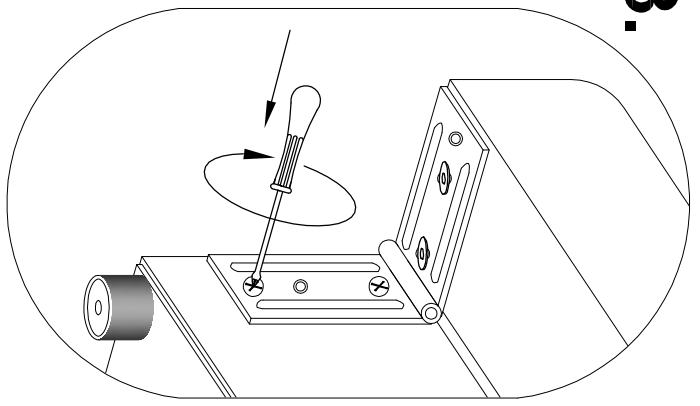
1.



2.



3.

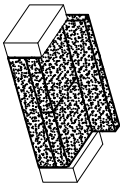


0 10 20 30 40 50 60 70 80 90 100 110 120 130 140 150 160 170 180 190 200 mm

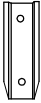
2024-08-12

Arella 3

IV



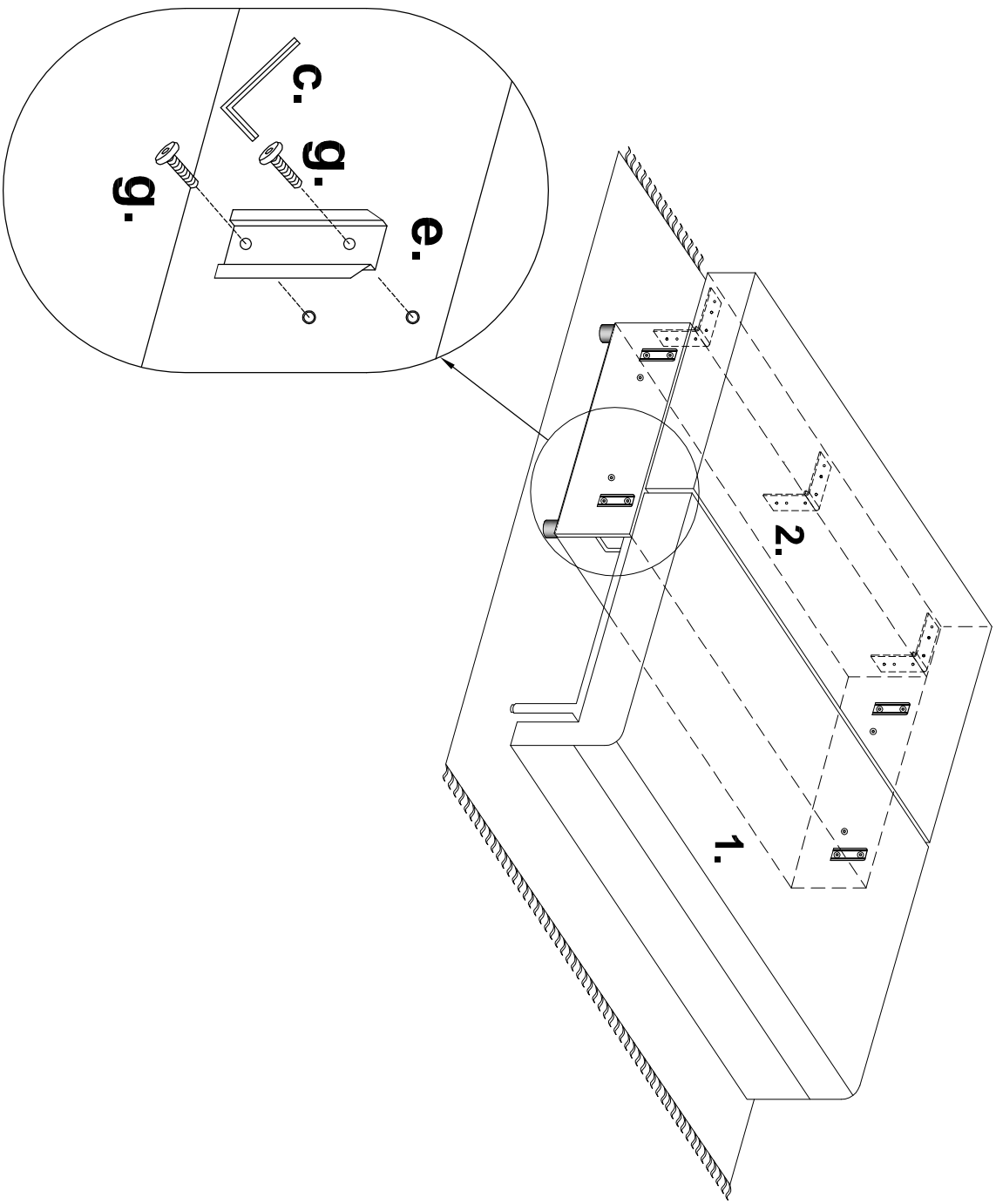
e. x 4

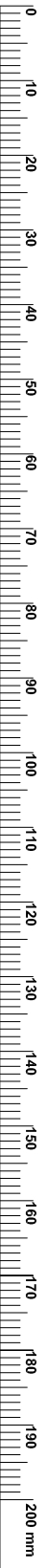


g. x 8 M6x20



c. x 1 "4"

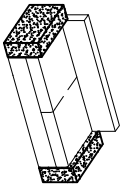




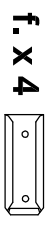
2024-08-12

Arella 3

V

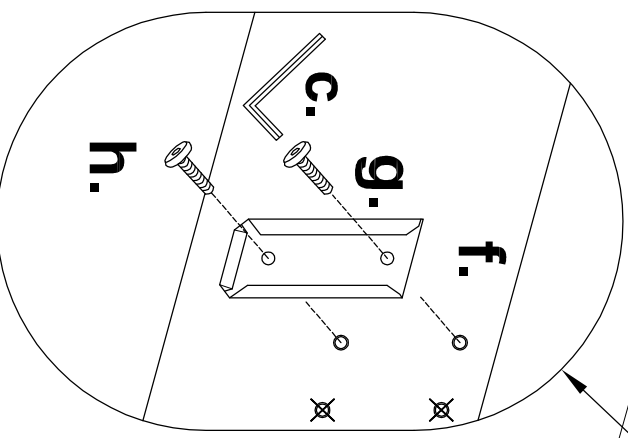
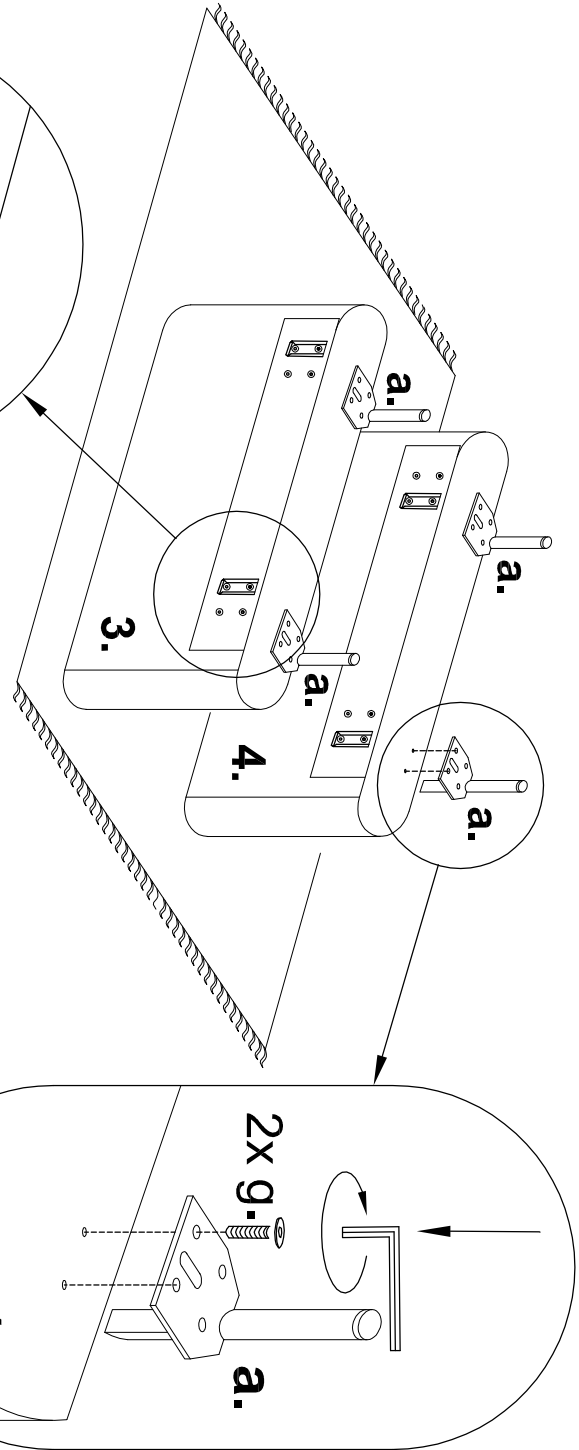
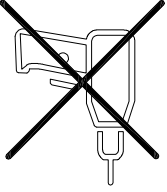


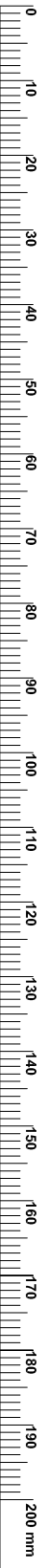
a. x 4



f. x 4

g. x 16 M6x20

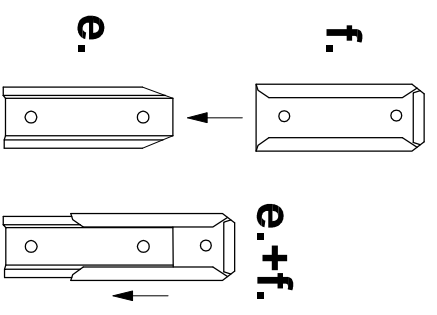
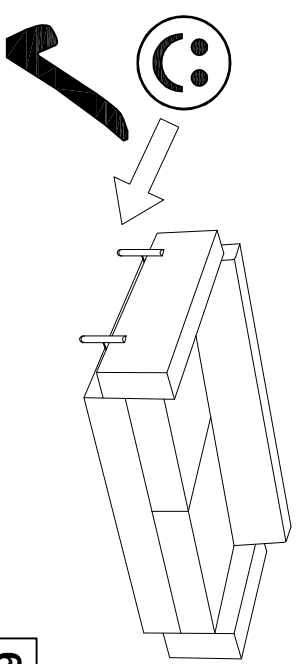
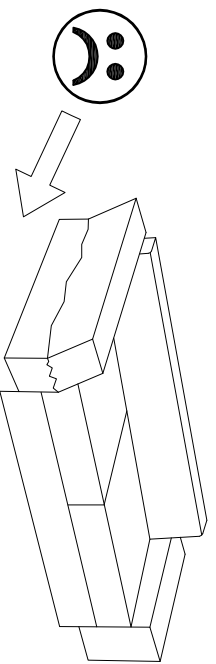
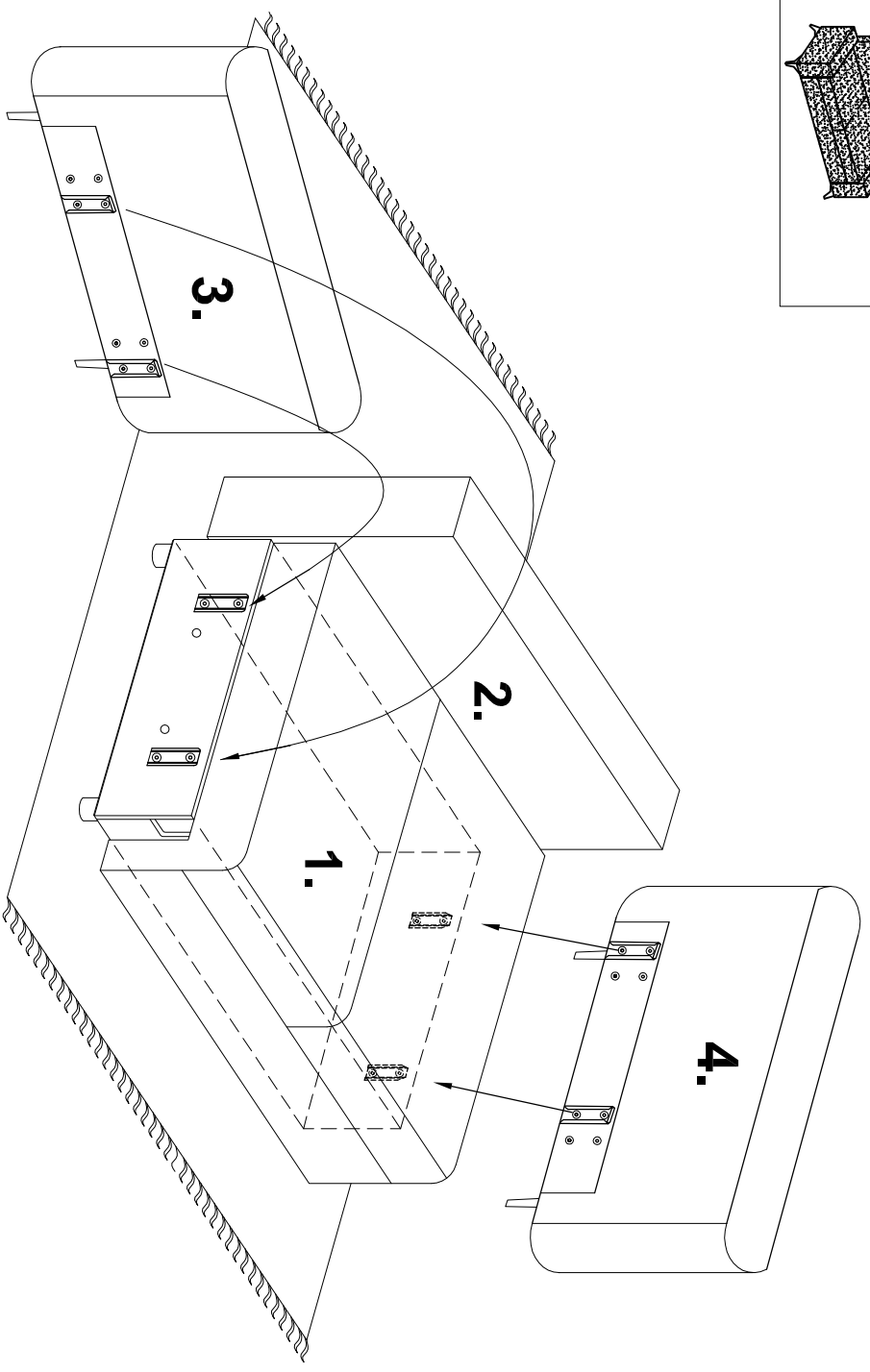
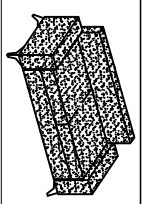




2024-08-12

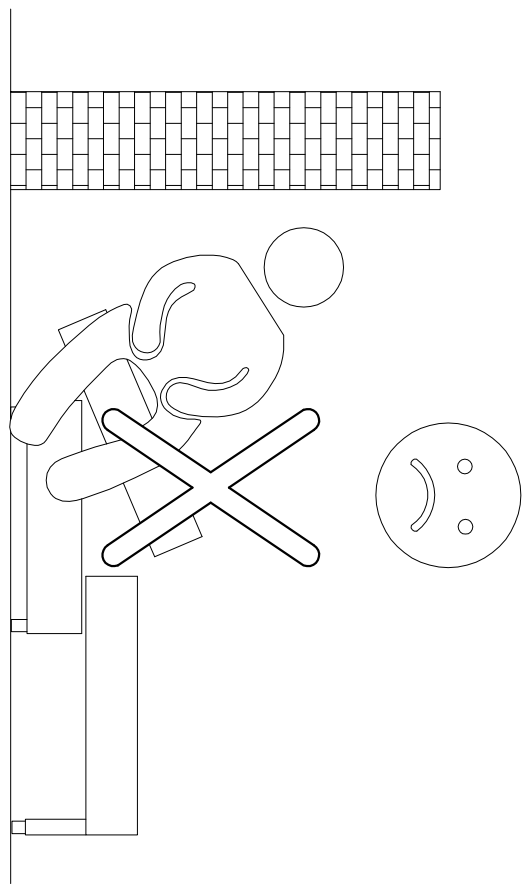
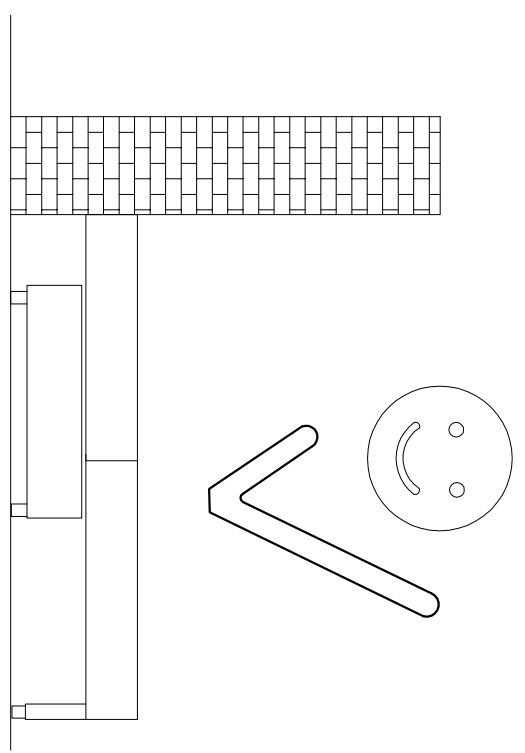
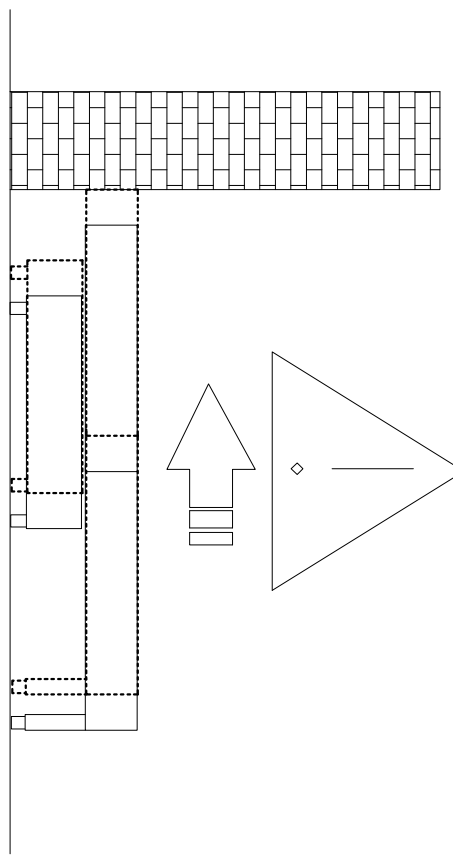
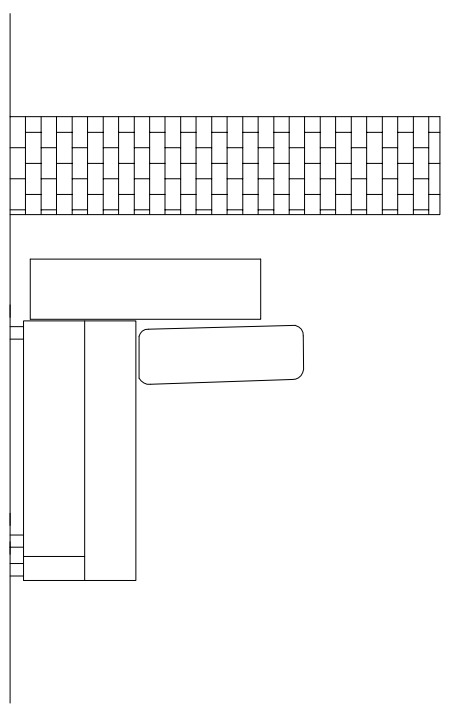
Arella 3

VI



0 10 20 30 40 50 60 70 80 90 100 110 120 130 140 150 160 170 180 190 200 mm

2024-08-12



0 10 20 30 40 50 60 70 80 90 100 110 120 130 140 150 160 170 180 190 200 mm

